

This high-pressure sensor is treated and aged stainless steel.

The sensor is cut from a single piece of material, offering excellent qualities of robustness, endurance and resistance to corrosion.

The pressure-sensitive part, fitted with a piezoresistive metal strain gauge bridge, provides excellent fatigue resistance.

A removable carrying handle makes it easy to fit and remove the sensor in complete safety.

The standard 4-20 mA analogue output can be adapted to an appropriate Zener barrier.

Connection to 2" Union Hammer

This sensor is ATEX and IECEx certified for Zone Zero



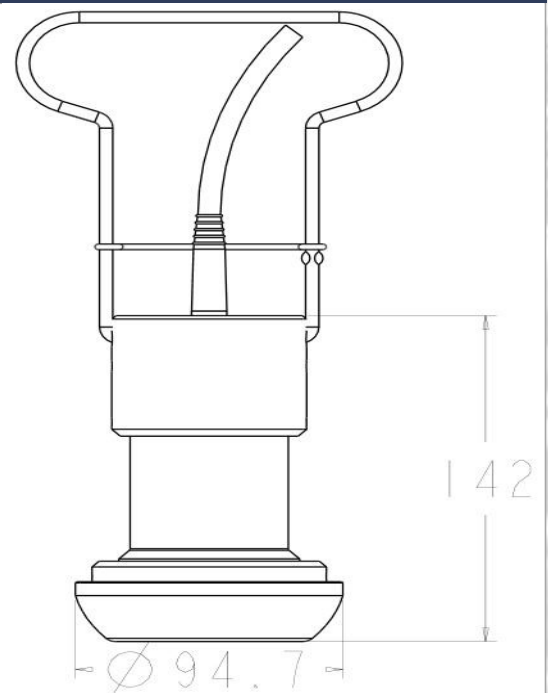
Functionalities

- 2-inch connection
- Mechanical decoupling
- Standard connection
- 4-20 mA output signal
- 2-wire current loop
- Interchangeable without adjustment
- ATEX certification for Zone 0


Applications

- Industrial processes
- Petrochemicals
- Geothermals

Dimensions



SPECIFICATIONS

Designation	Values	Unity	Observations
Type of gauges	Metal		
Standard measuring ranges	0-1500	bar	
Permissible permanent overload	1,5 x	MR	
Connection	Hammer 2 "		
AlimePower supply	From 15 to 36	V	
Output signal	4-20 mA 2 wires	mA	
Calibration accuracy	0,5%	EM	
Initial zero imbalance	0,5%	EM	
Linearity/Hysteresis	0,15%	EM	
Repeatability	0,15%	EM	
Standard zero drift (0 and 60°C)	0,01%	EM	
Sensitivity drift (0 and 60°C)	0,03%	EM	
Standard operating temperature	-20 à +85	°C	
Isolation at 50 V at 20°C	1000	MΩ	
Standard electrical connection:	With 1.5 m cable and cable gland		
Intrinsic parameters			
Mass	2 950	g	
Material	APX4		
Recommended Zener barriers	7787+		MTL brand
Wire connection	<ul style="list-style-type: none"> + 24 V brown xore Signal red wire Ground green wire 		
ATEX and iCEXmarking	IECEx ITS 13.0056X ITS13ATEX27929X <u>Coding</u> Ex ia IIC T4 Ga  II 1G -20°C ≤ Ta ≤ +80°C <u>Entity Parameters</u> T4 under Ui: 28V, Ii: 105mA, Pi: 760mW, Ci: 73nF		

